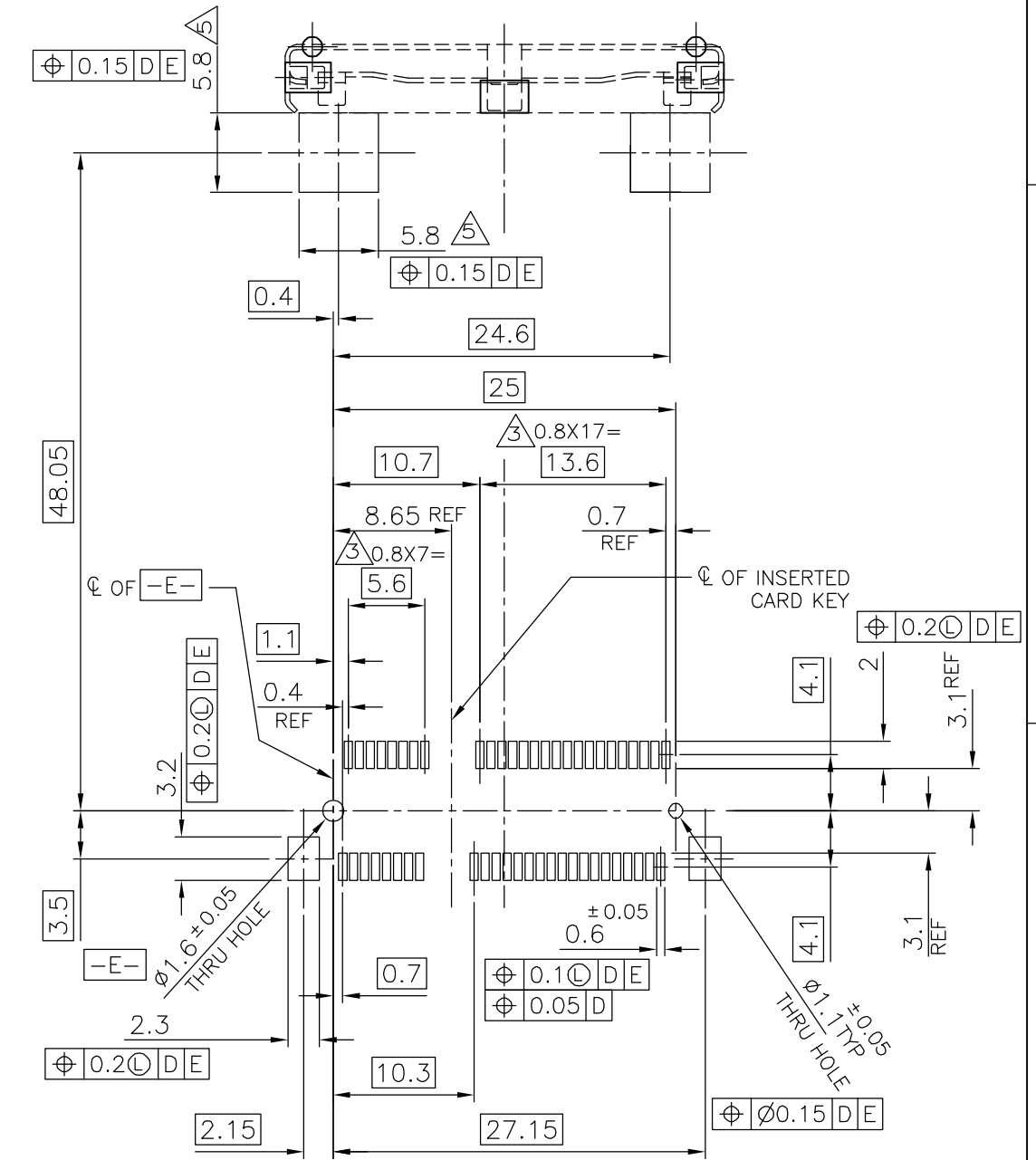
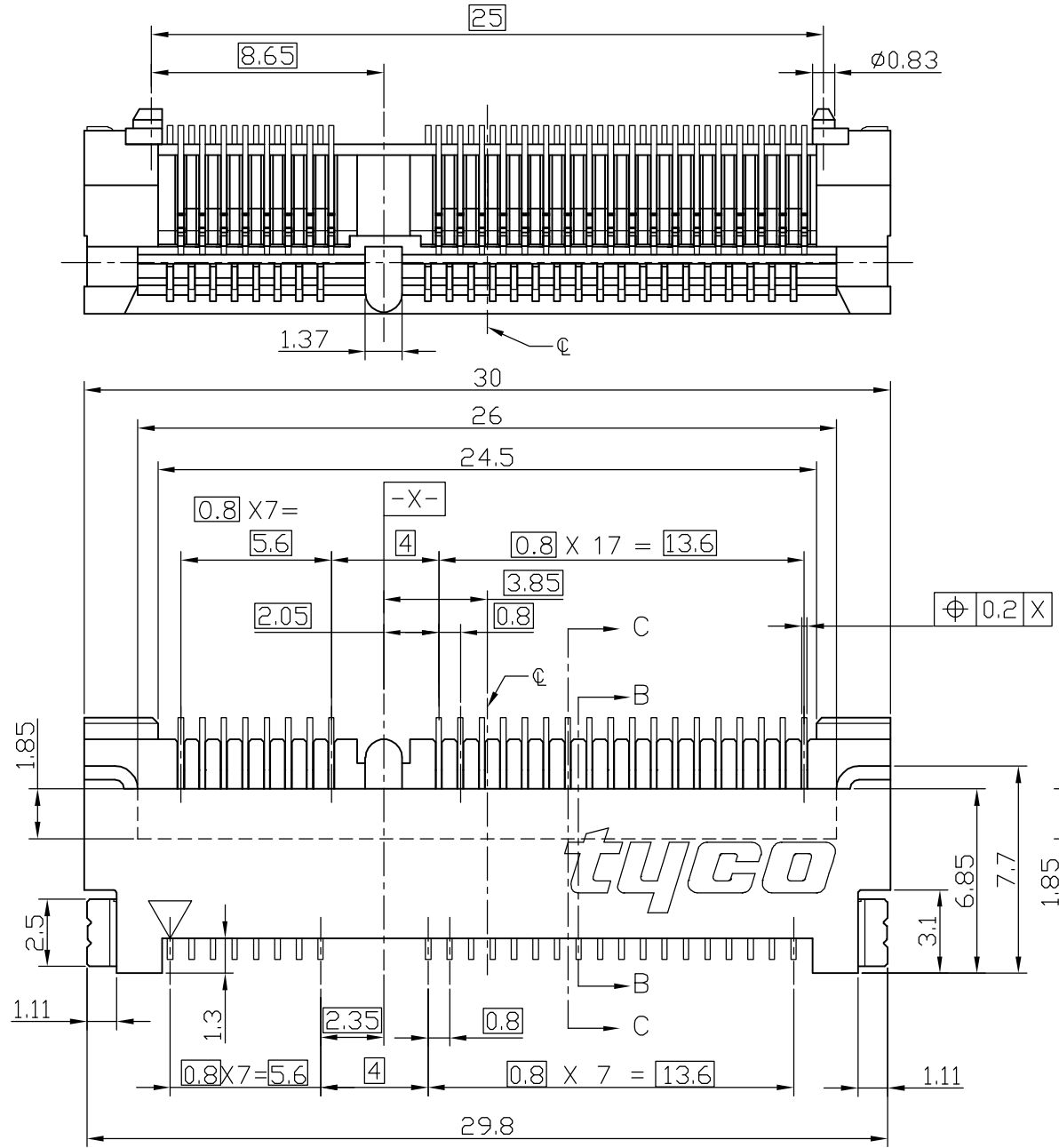
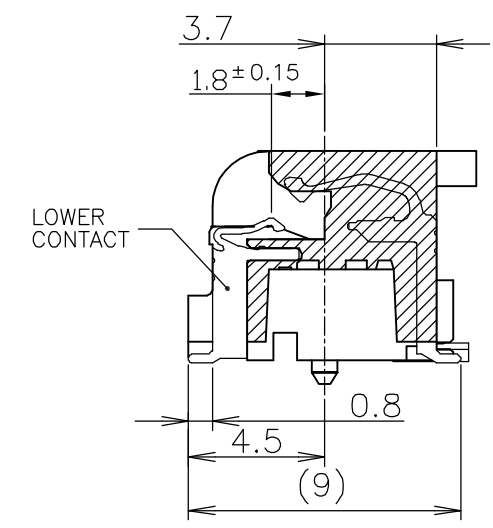
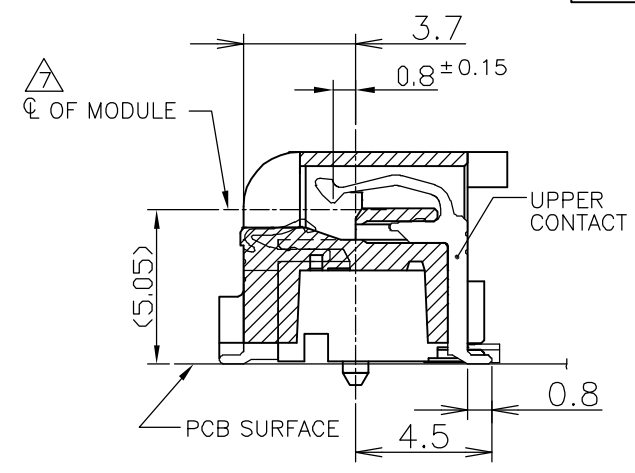


THIS DRAWING IS UNPUBLISHED. RELEASED FOR PUBLICATION JUL 2005.
 © COPYRIGHT 2005 BY TYCO ELECTRONICS CORPORATION. ALL RIGHTS RESERVED.

LOC	DIST	REVISIONS			
P	LTR	DESCRIPTION	DATE	DWN	APVD
	D	REVISED (ECR-06-025491)	27OCT06	B.W	S.Y

- NOTE
- MATERIAL : HOUSING : HIGH TEMPERATURE THERMO PLASTIC UL94V-0
 COLOR:BLACK
 CONTACT : COPPER ALLOY
 SOLDER PEG : COPPER ALLOY
 - FINISH : CONTACT : GOLD FLASH ON CONTACT AREA,
 ALL OVER NICKEL
 SOLDER PEG : TIN PLATE, ALL OVER NICKEL
 - TOLERANCES NON-CUMMURATIVE
 - D- IS THE TOP SURFACE OF PCB.
 - COMPONENT KEEP OUT AREA BASED ON MINI PCI EXPRESS SPECIFICATION
 - 1.0 CANDIDATE DRAFT (v1)
 - THE MATING LATCH : 1827682-1
 - THE FLOATING VALUE BY SOLDERING IS NOT INCLUDED.



H7	1827680-1
HEIGHT	PART NUMBER
TOLERANCES UNLESS OTHERWISE SPECIFIED 一般公差	
10 ≥	±0.2
30 ≥	>10 : ±0.25
100 ≥	>10 : ±0.3
ANGLES ±3°	

THIS DRAWING IS A CONTROLLED DOCUMENT.

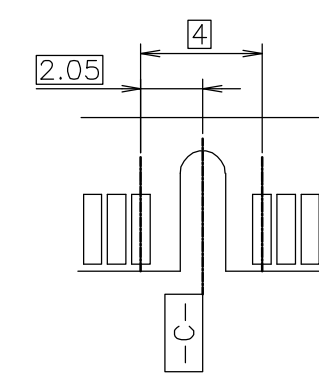
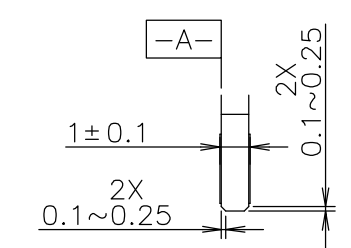
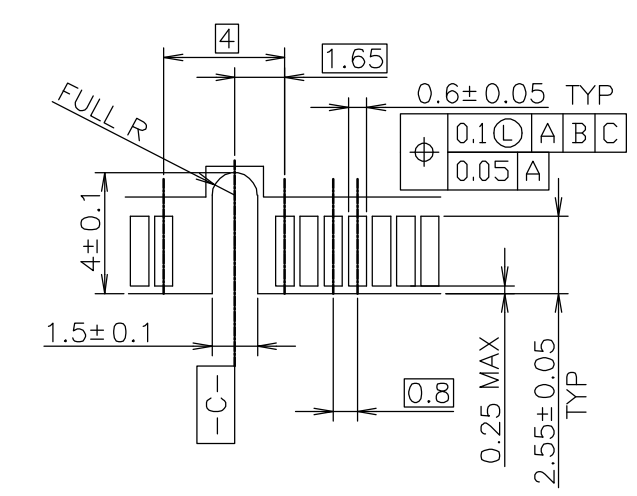
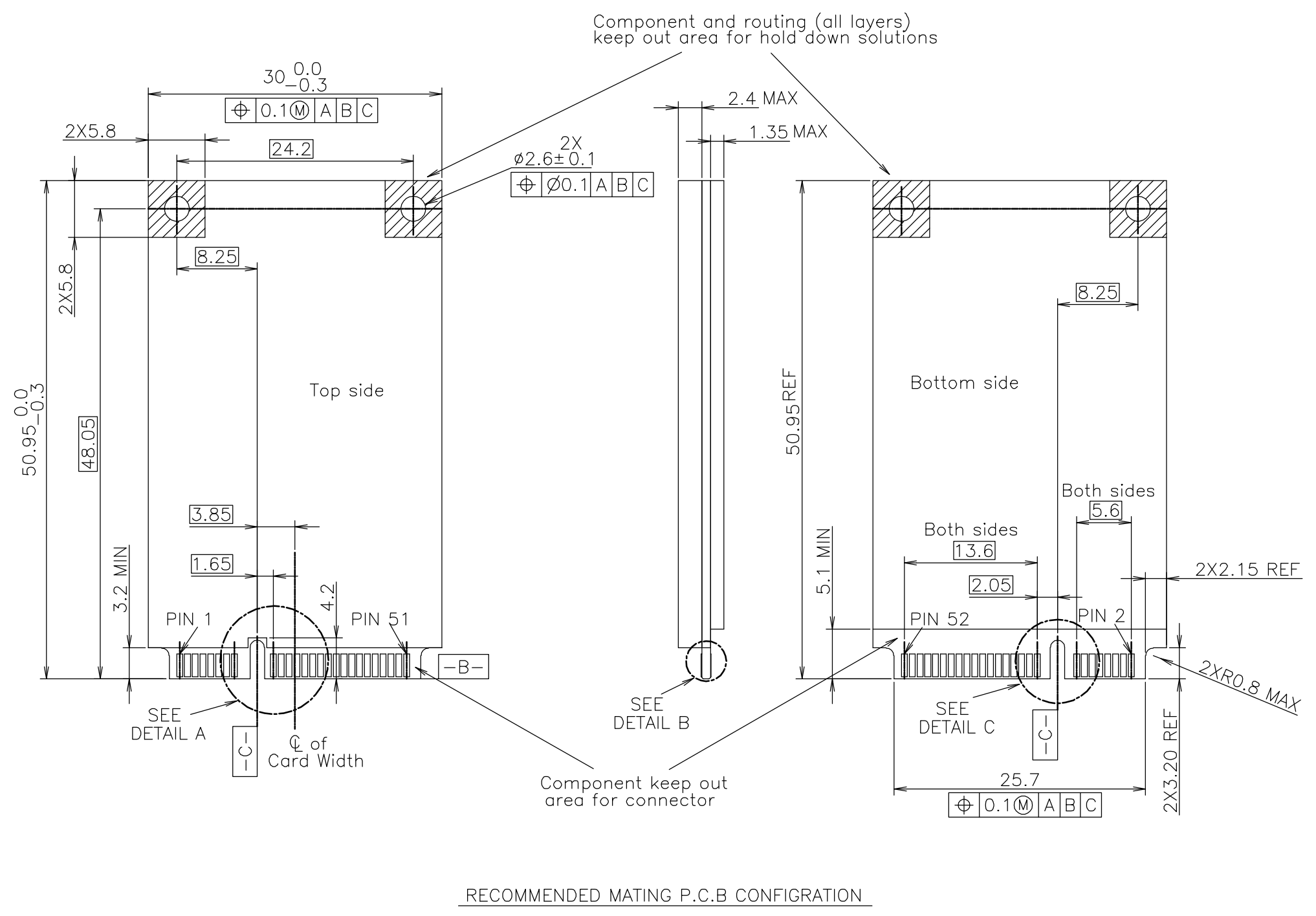
DIMENSIONS:	TOLERANCES UNLESS OTHERWISE SPECIFIED:
MM	
0 PLC	± -
1 PLC	± -
2 PLC	± -
3 PLC	± -
4 PLC	± -
ANGLES	± -
FINISH	± -

MATERIAL: SEE NOTE
 FINISH: SEE NOTE

DWN	T.KAWAMAE	01JUL05		Tyco Electronics AMP K.K.	
CHK	T.SASAKI	01JUL05		Kawasaki, Japan	
APVD	T.SASAKI	01JUL05		NAME	
PRODUCT SPEC			EMBOSS TAPE SUPPLY		
APPLICATION SPEC			MINI PCI EXPRESS CONNECTOR ASSEMBLY		
108-78302			SIZE	CAGE CODE	DRAWING NO
WEIGHT			A3	00779	C-1827680
CUSTOMER DRAWING			SCALE	SHEET	REV
			4:1	1 OF 3	D

THIS DRAWING IS UNPUBLISHED. RELEASED FOR PUBLICATION JUL 2005.
 © COPYRIGHT 2005 BY TYCO ELECTRONICS CORPORATION. ALL RIGHTS RESERVED.

LOC	DIST	REVISIONS			
P	LTR	DESCRIPTION	DATE	DWN	APVD
J		SEE SHEET 1	-	-	-



RECOMMENDED MATING P.C.B CONFIGURATION

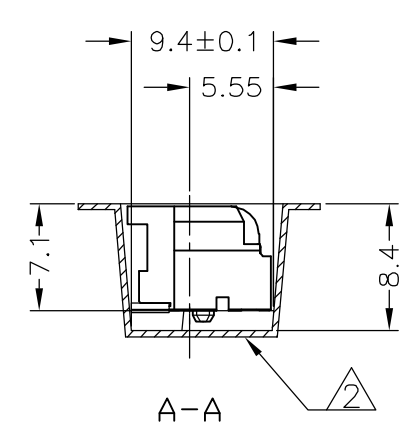
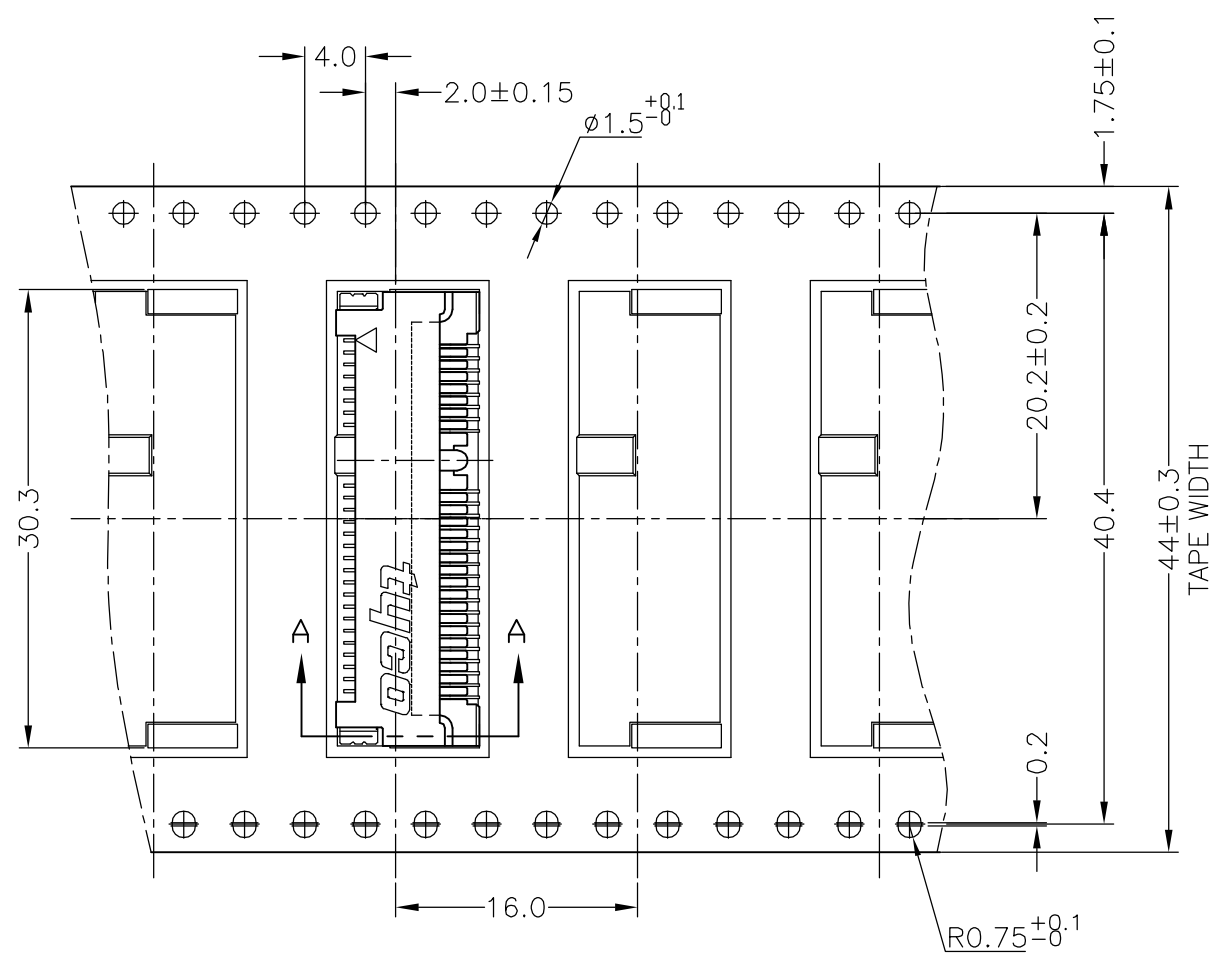
NOTES
 1. PCI EXPRESS MINI CARD, PCB THICKNESS 1.0mm.
 2. CARD THICKNESS APPLIES ACROSS TABS AND INCLUDES PLATING AND/OR METALIZATION.
 3. BEVEL MUST BE FREE OF CUTTING BURRS.

TOLERANCES UNLESS OTHERWISE SPECIFIED
 一般公差
 10 ≥ : ± 0.2
 30 ≥ > 10 : ± 0.25
 100 ≥ > 10 : ± 0.3
 ANGLES ± 3°

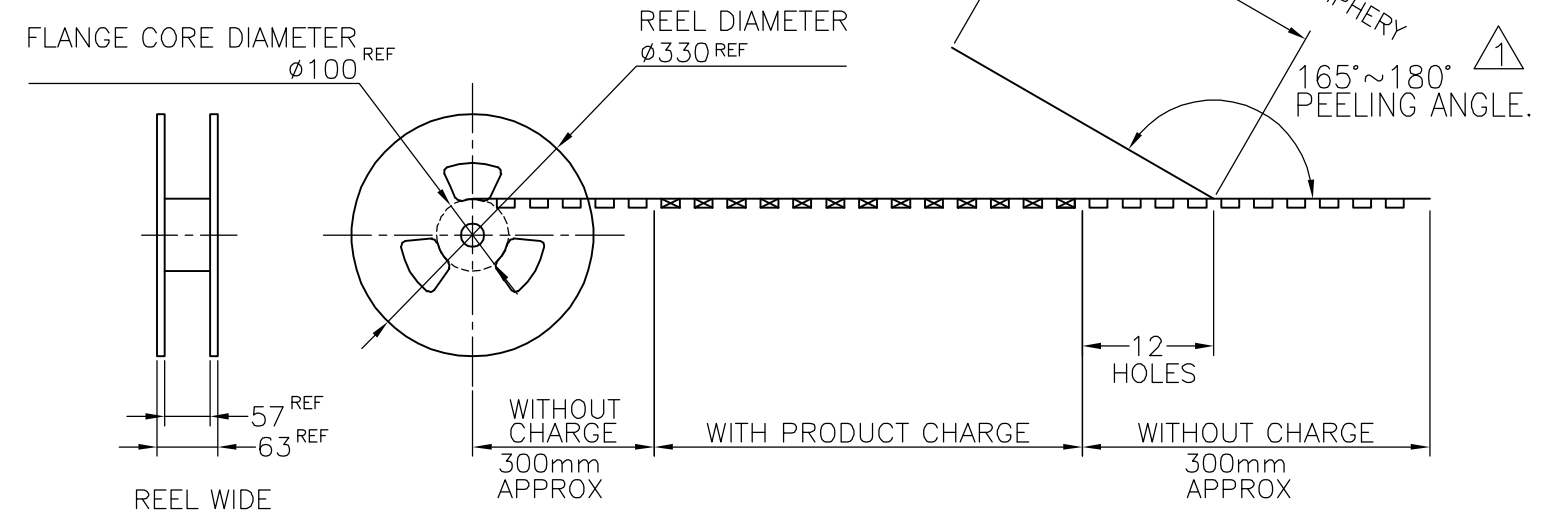
THIS DRAWING IS A CONTROLLED DOCUMENT.		DWN	-		
DIMENSIONS: MM		CHK	-		
TOLERANCES UNLESS OTHERWISE SPECIFIED:		APVD	-		
0 PLC ± -		PRODUCT SPEC	-		
1 PLC ± -		APPLICATION SPEC	-		
2 PLC ± -		WEIGHT	-		
3 PLC ± -		CUSTOMER DRAWING			
4 PLC ± -		SCALE	2:1		
ANGLES ± -		SHEET	2 OF 3		
FINISH		REV	D		
MATERIAL		Tyco Electronics AMP K.K. Kawasaki, Japan EMBOSS TAPE SUPPLY MINI PCI EXPRESS CONNECTOR ASSEMBLY SIZE: A3 CAGE CODE: 00779 DRAWING NO: C-1827680 RESTRICTED TO: -			

THIS DRAWING IS UNPUBLISHED. RELEASED FOR PUBLICATION JUL 2005.
 © COPYRIGHT 2005 BY TYCO ELECTRONICS CORPORATION. ALL RIGHTS RESERVED.

LOC	DIST	REVISIONS					
		P	LTR	DESCRIPTION	DATE	DWN	APVD
J				SEE SHEET 1	-	-	-



TOP OF REEL →



1 PEELING RESISTANCE : 0.1N~1.3N
 (10gf~130gf)
 SPEED : 300mm/min

400EA	912125-1	1827680-1
QTY/REEL	EMBOSS TAPE P/N	P/N

THIS DRAWING IS A CONTROLLED DOCUMENT.		DWN	Tyco Electronics AMP K.K. Kawasaki, Japan		
DIMENSIONS: MM		CHK	NAME		
TOLERANCES UNLESS OTHERWISE SPECIFIED:		APVD	EMBOSS TAPE SUPPLY MINI PCI EXPRESS CONNECTOR ASSEMBLY		
0 PLC ± -		PRODUCT SPEC	SIZE	CAGE CODE	DRAWING NO
1 PLC ± -		APPLICATION SPEC	A3	00779	C-1827680
2 PLC ± -		WEIGHT	RESTRICTED TO		
3 PLC ± -		CUSTOMER DRAWING	-		
4 PLC ± -		SCALE	2:1		
ANGLES ± -		SHEET	3 OF 3		
FINISH ± -		REV	D		